

MAC / STING

Electromechanical automation for swing gates
up to 3 m - 400 kg

Robust structure, monobloc aluminium, perfect for a residential and collective usage

Mechanical stops available in open and close position (optional)

Rapid unlocking device, with **personalized steel key** (for STING) or plastic key (for MAC) in case of power failure



STING

MAC



Adjustable fixing plate, to be screwed (optional for MAC, included for STING)



Steel mechanics and gearing



NETLINK OPERATOR

This operator is compatible with the NETLINK System and can be programmed with DEAINstaller and NETBOX

Black versions available (art. MAC-BLACK eand MAC/24-BLACK)



Compatible with the Apps



KIT

230V ~ operators without control board



MAC

COD.	Art.				OTHER CHARACTERISTICS
625010	MAC		395mm without MAC/FM 334mm with MAC/FM		• For leaves up to 3m length
625014	MAC-BLACK				

STING unlocking device with key

COD.	Art.				OTHER CHARACTERISTICS
625050	STING		395mm without MAC/FM 334mm with MAC/FM		• For leaves up to 3m length
625052	STING/EN		395mm without MAC/FM 334mm with MAC/FM	✓	• With encoder, for leaves up to 3m

For MAC: fixing plate to be welded included

For STING: adjustable fixing plates to be screwed included (art. MLS/SFR)

Control board to complete the installation: control board cod. 677610 art. NET230N/C (with box)

24V = operators without control board



MAC

COD.	Art.			OTHER CHARACTERISTICS
625040	MAC/24		395mm without MAC/FM 334mm with MAC/FM	• For leaves up to 3m length
625044	MAC/24-BLACK			

STING unlocking device with key

COD.	Art.			OTHER CHARACTERISTICS
625051	STING/24		395mm without MAC/FM 334mm with MAC/FM	• For leaves up to 3m length

For MAC: fixing plate to be welded included

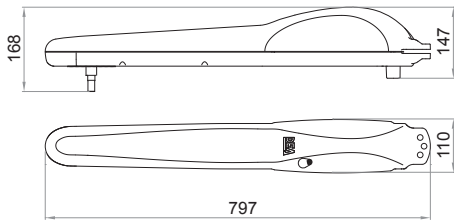
For STING: adjustable fixing plates to be screwed included (art. MLS/SFR)

Control board to complete the installation: control board cod. 678261 art. NET24N/C (with box)

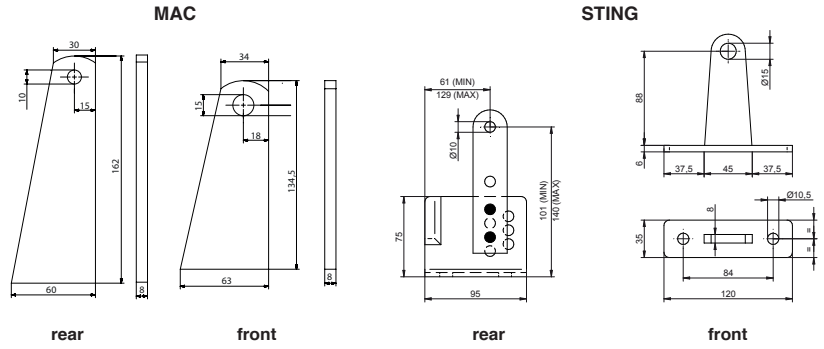
TECHNICAL INFO	MAC - STING	STING/EN	MAC/24 - STING/24
Motor power supply (V)	230V ~ ± 10 % (50/60 Hz)		24V =
Maximum power absorption (W)	300		60
Max thrust (N)	1650		1000
Time with total stroke (s)*	21		22
Max rod speed (mm/s)*	16		
Duty cycle (cycles/hours)	18	22	40
N. max cycles in 24h	90		
Built-in capacitor (µF)	8		/
Operating temperature (°C)	-20 ÷ 50		
Motor thermal protection (°C)	150		/
Weight with packing (Kg)	8,8		
Sound pressure (dBA)	< 70		
Protection level	IPX4		

*the opening time of the leaf at 90° may be lower accordingly to the geometry of the installation

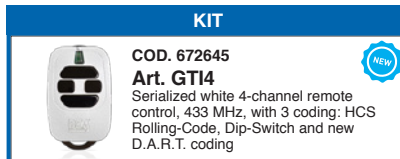
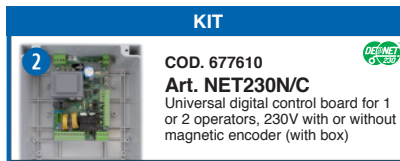
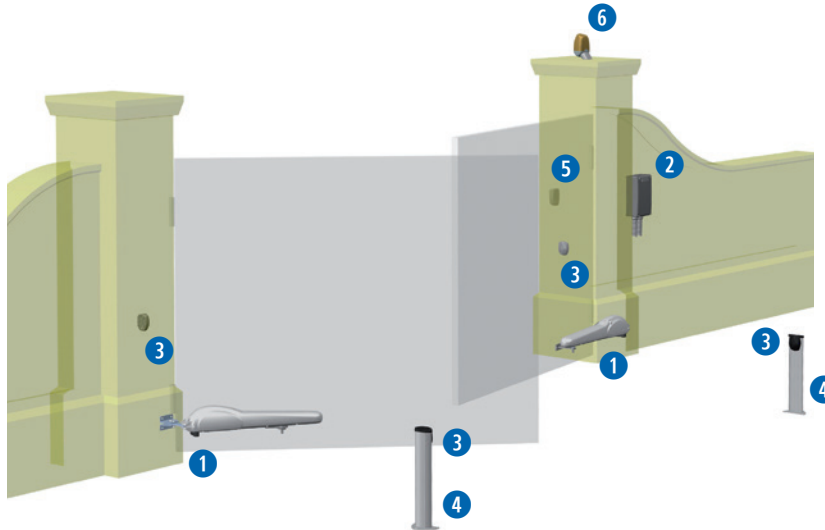
DIMENSIONS



FIXING PLATES



EXAMPLE OF A TYPICAL INSTALLATION



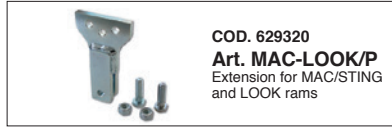
KIT

for further details on the kits see price list 2019

SPECIFIC ACCESSORIES



COD. 629300
Art. MAC/FM
Mechanical stops for MAC/
STING (2 pcs) - for 1
operator



COD. 629320
Art. MAC-LOOK/P
Extension for MAC/STING
and LOOK rams



COD. 629312
Art. MLS/SFR
Adjustable fixing plates to
be screwed

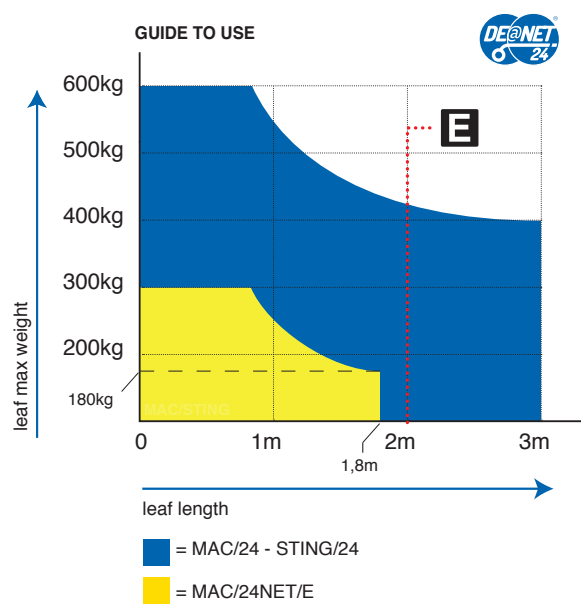
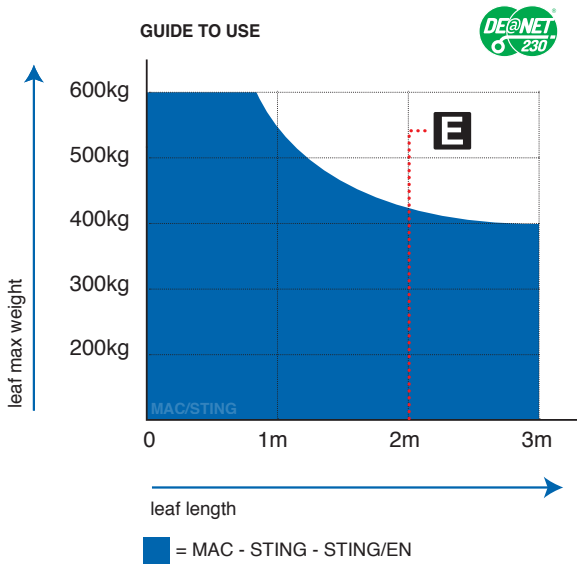


COD. 629250
Art. COL 515
Anti-fall Stainless steel
cable with 2 holes for
swing gates



COD. 629381
Art. SB
Back overhead door fixing
plate for LOOK, MAC,
STING

GUIDE TO USE



If the leaf length is bigger than 2m or if you use reversible models you must install the electric-lock to block the gate in closed position. The height and the leaf structure, as well as the presence of strong wind, can cause the reduction of the value of the data contained in table or make it necessary to use an electric lock also for leaves shorter than 2m.