



Hydraulic automation for swing gates
up to 4,5 m - 500 kg

Quick release with customised metal key, protected from the weather.



Models available with **locks in opening and closing**, **fast** or **slow speed** versions



Available in short version (useful stroke 270mm) or long version (useful stroke 400mm)



Adjustable fixing plates to be screwed (optionals)



NETLINK OPERATOR
This operator is compatible with the NETLINK System and can be programmed with DEAIInstaller and NETBOX



Compatible with the Apps



Hydraulic rams 230V ~ without control board



Stroke 270mm

COD.	Art.				OTHER CHARACTERISTICS
624005	OLI 602AN	● ● ● ●	A	270mm	• Self-locking in open position only, for leaves up to 2m length
624055	OLI 602LAN	● ● ● ●	A	270mm	• Self-locking in open position only, slow version, for leaves up to 2,5m length
624004	OLI 602N	● ● ● ●	C	270mm	• Self-locking in close position only, for leaves up to 2m length
624054	OLI 602LN	● ● ● ●	C	270mm	• Self-locking in close position only, slow version, for leaves up to 2,5m length
624013	OLI 603N	● ● ● ●		270mm	• Self-locking in open and close position, for leaves up to 2m length
624063	OLI 603LN	● ● ● ●		270mm	• Self-locking in open and close position, slow version, for leaves up to 2,5m length
624023	OLI 604N	● ● ● ●	✓	270mm	• Not self-locking, for leaves up to 2,5m length
624073	OLI 604LN	● ● ● ●	✓	270mm	• Not self-locking, slow version, for leaves up to 3m length

All models: fixing plates to be welded included (art.0/353-0/653)

Control board to complete the installation: control board cod. 677610 art. NET230N/C (with box)

All models: in order to respect the limit of impact forces foreseen by EN 12453-1, you must use the external safety devices in compliance with EN 12978.

Stroke 400mm

COD.	Art.				OTHER CHARACTERISTICS
624033	OLI 605N	● ● ● ●		400mm	• Self-locking in open and closed position, for leaves up to 2,5m length
624083	OLI 605LN	● ● ● ●		400mm	• Self-locking in open and closed position, slow version, for leaves up to 3m length
624043	OLI 606N	● ● ● ●	✓	400mm	• Not self-locking, for leaves up to 3,5m length
624093	OLI 606LN	● ● ● ●	✓	400mm	• Not self-locking, slow version, for leaves up to 4,5m length
624104	OLI 607AN	● ● ● ●	A	400mm	• Self-locking in open position, for leaves up to 3m length
624114	OLI 607LAN	● ● ● ●	A	400mm	• Self-locking in open position, slow version, for leaves up to 3,5m length

All models: fixing plates to be welded included (art.0/353-0/653)

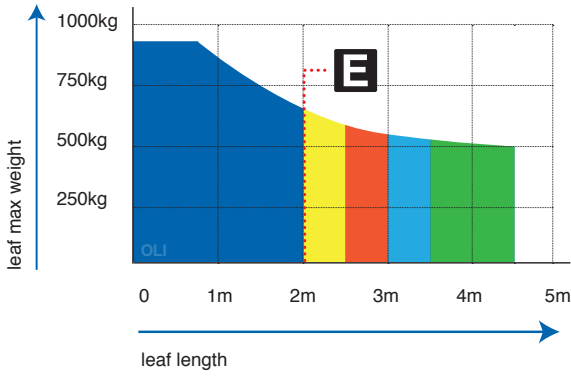
Control board to complete the installation: control board cod. 677610 art. NET230N/C (with box)

All models: in order to respect the limit of impact forces foreseen by EN 12453-1, you must use the external safety devices in compliance with EN 12978.

TECHNICAL INFO	OLI 602N - OLI 602AN - OLI 603N - OLI 604N	OLI 605N - OLI 606N - OLI 607AN	OLI 602LN - OLI 602LAN - OLI 603LN - OLI 604LN	OLI 605LN - OLI 606LN - OLI 607LAN
Motor power supply (V)	230V ~ ± 10 % (50/60 Hz)			
Maximum power absorption (W)	170			
Max thrust (N)	3980		5600	
Max traction force (N)	3200		4460	
Duty cycle (cycles/hours)	60		50	
N. max cycles in 24h.	480		400	
Built-in capacitor (µF)	8			
Operating temperature (°C)	-20 ÷ 50			
Motor thermal protection (°C)	130			
90° Opening time (s)	21		30	
Weight with packing (Kg)	11,4		11,4	
Sound pressure (dBA)	< 70			
Protection level	IP55			

Used Oil: AGIP Arnica A15

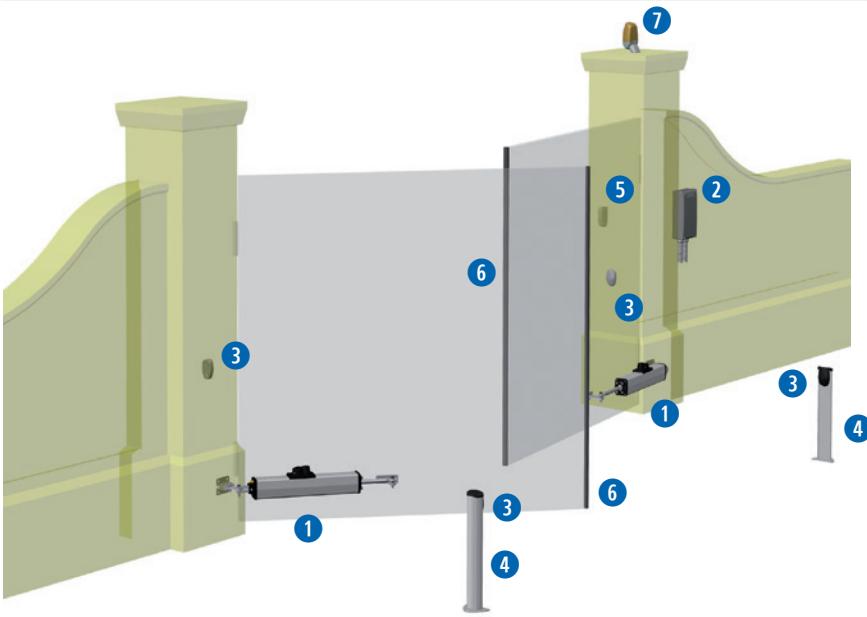
GUIDE TO USE



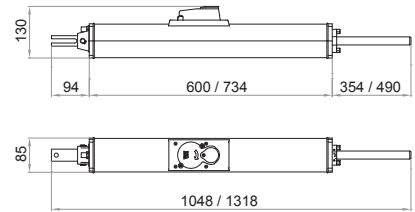
- = 602N - 602AN - 603N
- = 602LN - 602LAN - 603LN - 604N - 605N
- = 604LN - 605LN - 607AN
- = 606N - 607LAN
- = 606LN

If the leaf length is bigger than 2m or if you use reversible models you must install the electric-lock to block the gate in closed position. The height and the leaf structure, as well as the presence of strong wind, can cause the reduction of the value of the data contained in table or make it necessary to use an electric lock also for leaves shorter than 2m.

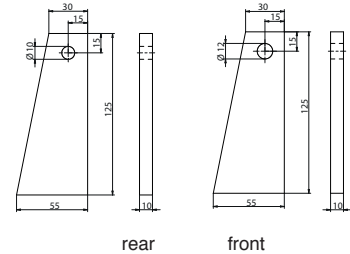
EXAMPLE OF A TYPICAL INSTALLATION



DIMENSIONS



FIXING PLATES



1

COD. 624004
Art. 602N
Hydraulic automation for swing gates

2

COD. 677610
Art. NET230N/C
Universal digital control board for 1 or 2 operators, 230V with or without magnetic encoder (with box)

3

COD. 662080
Art. LINEAR/XS
Pair of mini synchronizable photocell for outdoor installation. Maximum range 20m

4

COD. 664000
Art. PILLY/60
55cm column for photocell (2 pcs)

5

COD. 663090
Art. GT-KEY
Metal vandal proof keyswitch with two contacts, surface mounted. Supplied with 2 keys.

6

COD. 171039
Art. CR-20
Resistive edge L=2

7

COD. 661063
Art. AURA230
230V flashing light, LED, with integrated antenna, 433 MHz

COD. 672645
Art. GTI4
Serialized white 4-channel remote control, 433 MHz, with 3 coding: HCS Rolling-Code, Dip-Switch and new D.A.R.T. coding

COD. 668010
Art. 127
Warning sign

SPECIFIC ACCESSORIES

COD. 350360
Art. 0/351 - 0/651
Galvanized plate 100x70 mm

COD. 629071
Art. OLI/SFR
Adjustable fixing plates to be screwed

COD. 629250
Art. COL 515
Anti-fall Stainless steel cable with 2 holes for swing gates