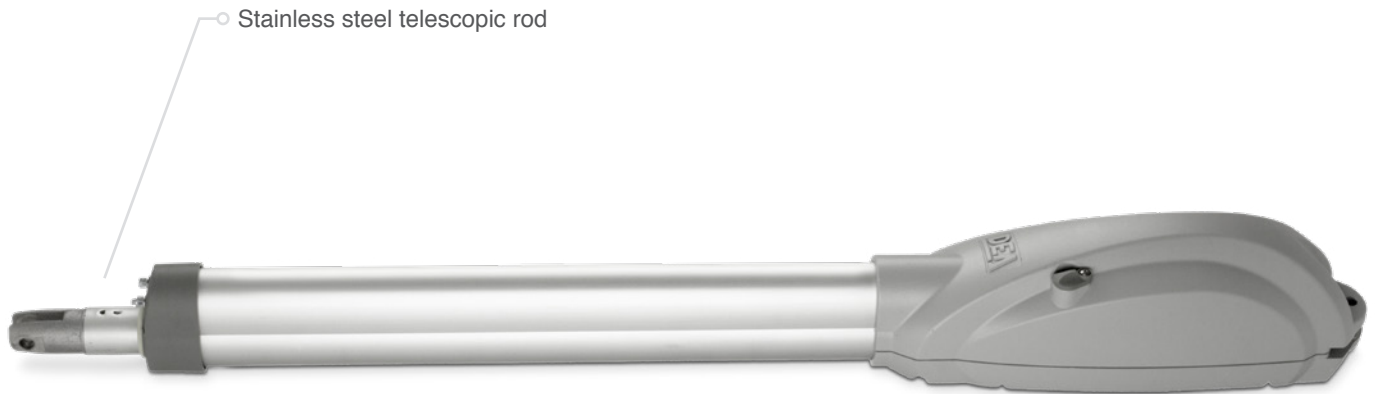




Electromechanical automation for swing gates
up to 5 m - 280 kg



Stainless steel telescopic rod



2 available lengths: with 320mm or 520mm stroke



Unlocking device with plastic key in case of power failure

Adjustable fixing plates, to be screwed

Optional rod cover



NETLINK OPERATOR
This operator is compatible with the NETLINK System and can be programmed with DEAIInstaller and NETBOX



Compatible with the Apps



KIT

230V ~ operators without control board and rod cover



COD.	Art.				OTHER CHARACTERISTICS
627000	351/SC		320mm		• For leaves up to 3m length
627012	351EN/SC		320mm	✓	• With encoder, for leaves up to 3m length
627053	355/SC		520mm		• For leaves up to 5m length
627052	355EN/SC		520mm	✓	With encoder, for leaves up to 5m length

All models have: adjustable fixing plates to be screwed included (art. MLS/SFR), rod cover not included
 Control board to complete the installation: control board cod. 677610 art. NET230N/C (with box)

24V = operators without control board and rod cover



COD.	Art.				OTHER CHARACTERISTICS
627092	371E/SC		320mm		• For leaves up to 1,8m length
627090	371/SC		320mm		• For leaves up to 3m length
627111	372/SC		320mm	✓	• With limit switches, for leaves up to 3m length
627123	373/SC		520mm		• For leaves up to 5m length
627131	374/SC		520mm	✓	• With limit switches, for leaves up to 5m length

All models have: adjustable fixing plates to be screwed included (art. MLS/SFR), rod cover not included
 Control board to complete the installation: control board cod. 678261 art. NET24N/C (with box)

Rod cover

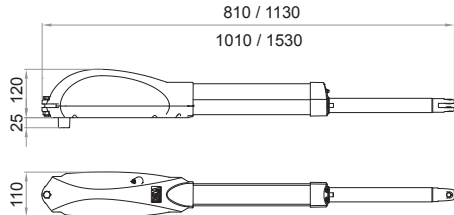


COD.	Art.		OTHER CHARACTERISTICS
629340	CS320	320mm	• Rod cover for ram: 320 mm stroke
629341	CS520	520mm	• Rod cover for ram: 520 mm stroke

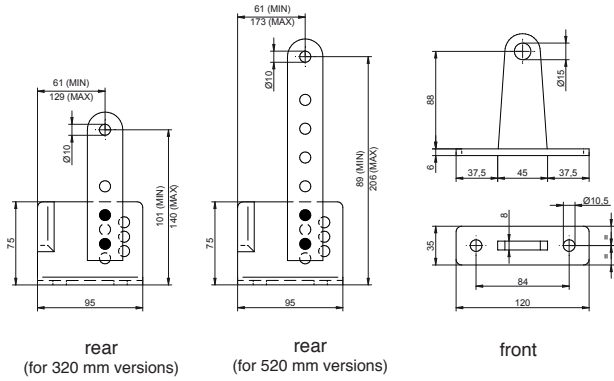
TECHNICAL INFO	351/SC - 351EN/SC	355/SC - 355EN/SC	371/SC - 372/SC	373/SC - 374/SC	371E/SC
Motor power supply (V)	230V ~ ± 10 % (50/60 Hz)		24V =		
Maximum power absorption (W)	300		60	50	
Max thrust (N)	1650		1000	500	
Time with total stroke (s)*	20	33	21	34	15
Max rod speed (mm/s)*	16	12,5	15	21,5	
Duty cycle (cycles/hours)	22 - 25 (vers. 351EN)		40	10	
N. max cycles in 24h.	110		50		
Built-in capacitor (µF)	8		/		
Operating temperature (°C)	-20 ÷ 50				
Motor thermal protection (°C)	150		/		
Weight with packing (Kg)	9	9,5	9		
Sound pressure (dBA)	< 70				
Protection level	IP24				

*the opening time of the leaf at 90° may be lower accordingly to the geometry of the installation

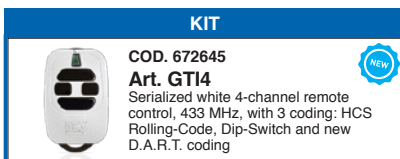
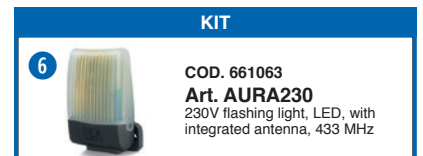
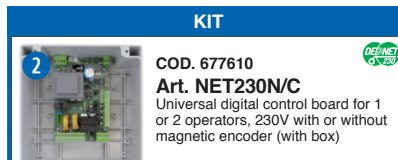
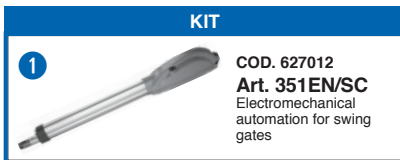
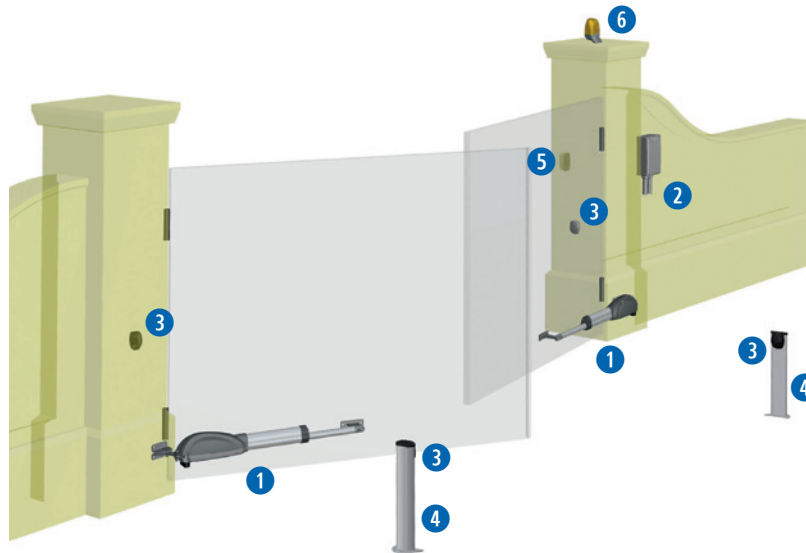
DIMENSIONS



FIXING PLATES



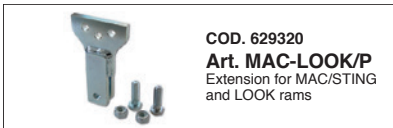
EXAMPLE OF A TYPICAL INSTALLATION



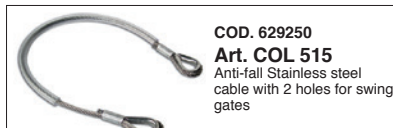
KIT

for further details on the kits see price list 2019

SPECIFIC ACCESSORIES



COD. 629320
Art. MAC-LOOK/P
 Extension for MAC/STING
 and LOOK rams



COD. 629250
Art. COL 515
 Anti-fall Stainless steel
 cable with 2 holes for swing
 gates



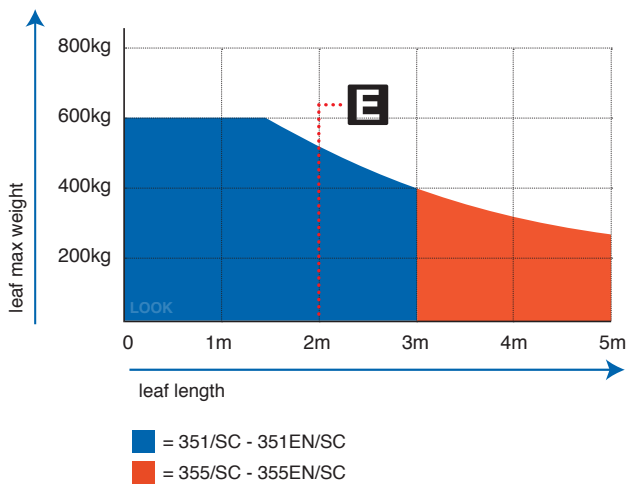
COD. 629381
Art. SB
 Back overhead door fixing
 plate for LOOK, MAC,
 STING



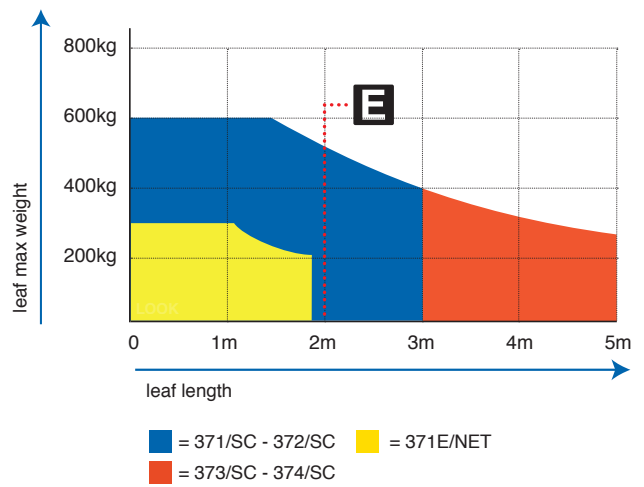
COD. 629312
Art. MLS/SFR
 Adjustable fixing plates to
 be screwed

GUIDE TO USE

GUIDE TO USE



GUIDE TO USE



If the leaf length is bigger than 2m or if you use reversible models you must install the electric-lock to block the gate in closed position. The height and the leaf structure, as well as the presence of strong wind, can cause the reduction of the value of the data contained in table or make it necessary to use an electric lock also for leaves shorter than 2m.