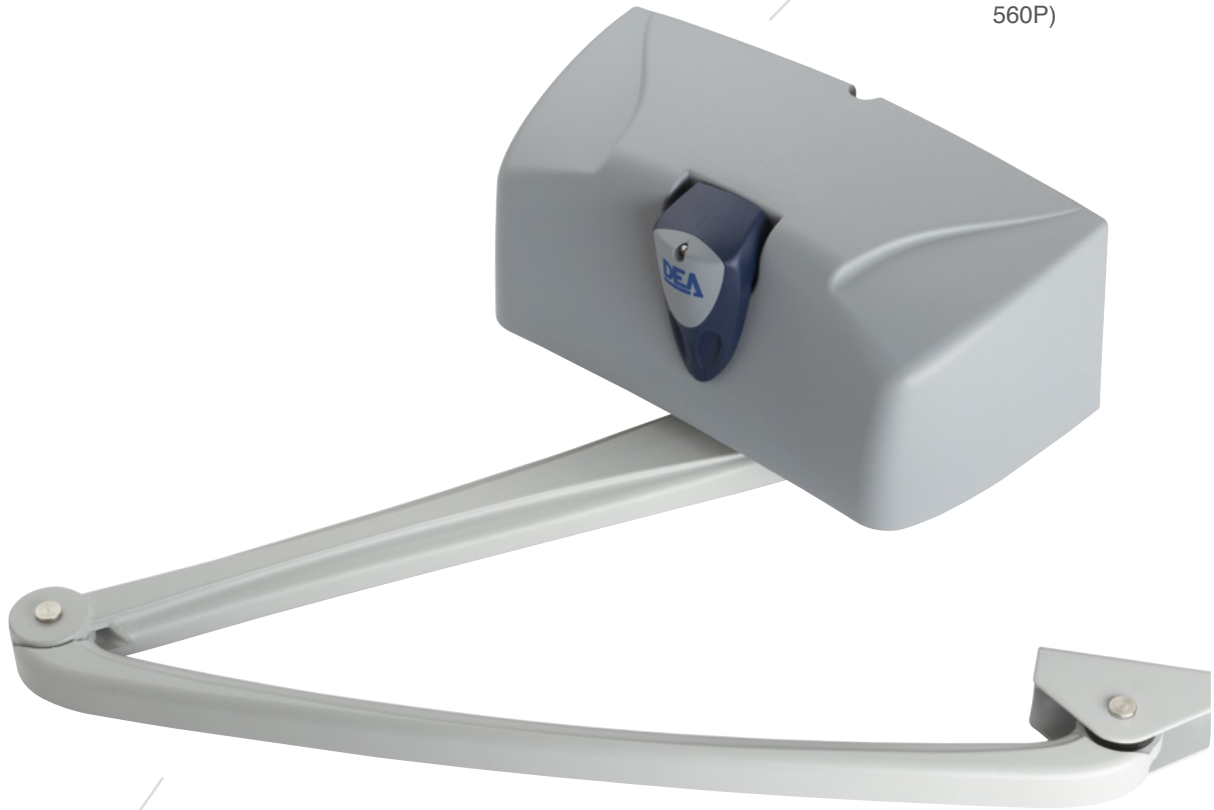


LIVI 502

Electromechanical automation for swing gates
up to 4,5 m - 400 kg

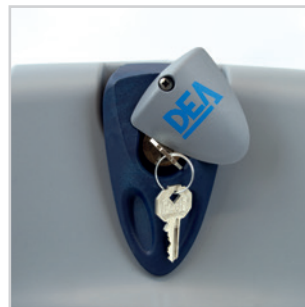
You can mount the operator also in a perpendicular way compared to the door, with vertical mounting plate (art. 560P)



Perfect for larger size pillars



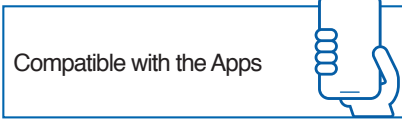
Sliding arm (optional)



Quick release with customised metal key, protected from the weather.



NETLINK OPERATOR
This operator is compatible with the NETLINK System and can be programmed with DEAINstaller and NETBOX



230V ~ operators without control board and arm



COD.	Art.			OTHER CHARACTERISTICS
623120	502	●		• For leaves up to 3m length
623140	502L	●		• Slow version, for leaves up to 4,5m length
623121	502EN	●	✓	• With encoder, for leaves up to 4,5m length

All models have: arm not included. Horizontal mounting plates included.

Control board to complete the installation: control board cod. 677610 art. NET230N/C (with box)

24V = operators without control board and arm



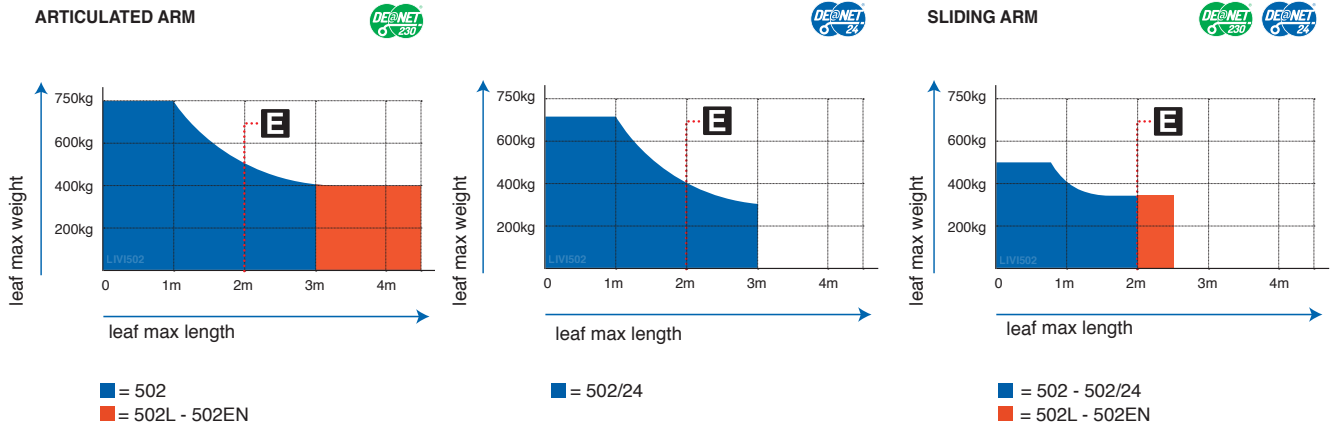
COD.	Art.			OTHER CHARACTERISTICS
623180	502/24	●●		• For leaves up to 3m length

All models have: arm not included. Horizontal mounting plates included.

Control board to complete the installation: control board cod. 678261 art. NET24N/C (with box)

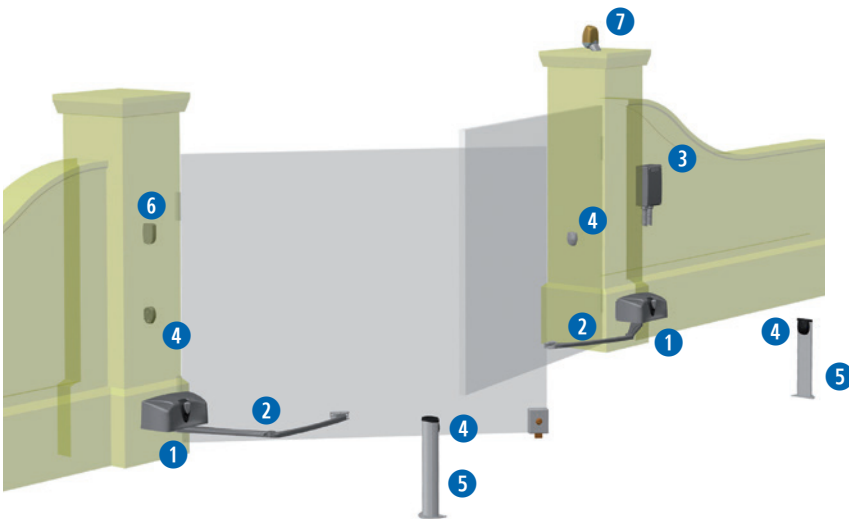
TECHNICAL INFO	502 - 502EN	502L	502/24
Motor power supply (V)	230V ~ ± 10 % (50/60 Hz)		24V =
Maximum power absorption (W)	300		80
Max torque (Nm)	295	260	180
Duty cycle (cycles/hours)	22 -25 (vers. 502EN)	22	35
N. max cycles in 24h.	110		140
Built-in capacitor (µF)	8		/
Operating temperature (°C)	-20 ÷ 50		
Motor thermal protection (°C)	150		/
90° Opening time (s)	12	18	10
Weight with packing (Kg)	13,5		13,2
Sound pressure (dBA)	< 70		
Protection level	IP44		

GUIDE TO USE

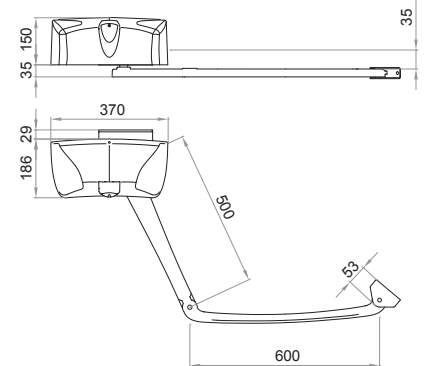


If the leaf length is bigger than 2m or if you use reversible models you must install the electric-lock to block the gate in closed position. The height and the leaf structure, as well as the presence of strong wind, can cause the reduction of the value of the data contained in table or make it necessary to use an electric lock also for leaves shorter than 2m.

EXAMPLE OF A TYPICAL INSTALLATION



DIMENSIONS (with arms 560A)



KIT

1 **COD. 623140**
Art. 502L
Electromechanical automation for swing gates

KIT

2 **COD. 629130**
Art. 560A
Aluminium articulated arm

KIT

3 **COD. 677610**
Art. NET230N/C
Universal digital control board for 1 or 2 operators, 230V with or without magnetic encoder (with box)

KIT

4 **COD. 662080**
Art. LINEAR/XS
Pair of mini synchronizable photocell for outdoor installation. Maximum range 20m

KIT

5 **COD. 664000**
Art. PILLY/60
55cm column for photocell (2 pcs)

KIT

6 **COD. 663090**
Art. GT-KEY
Metal vandal proof keyswitch with two contacts, surface mounted. Supplied with 2 keys.

KIT

7 **COD. 661063**
Art. AURA230
230V flashing light, LED, with integrated antenna, 433 MHz

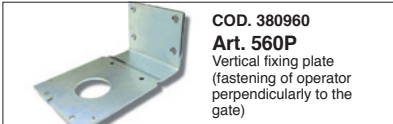
KIT

COD. 672645
Art. GTI4
Serialized white 4-channel remote control, 433 MHz, with 3 coding: HCS Rolling-Code, Dip-Switch and new D.A.R.T. coding

COD. 668010
Art. 127
Warning sign

KIT for further details on the kits see price list 2019

SPECIFIC ACCESSORIES



COD. 380960
Art. 560P
Vertical fixing plate
(fastening of operator
perpendicularly to the
gate)



COD. 629350
Art. KIT CLIMB
Adapter set for doors on slopes
(for doors up to 2m - 150 kg,
max gradient 12%)



COD. 629330
Art. SD502
Junction box



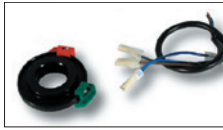
COD. 629100
Art. 560M
External unlocking device
by cable (4,5m). To be
used with BLINDOS



COD. 629250
Art. COL 515
Anti-fall Stainless steel
cable with 2 holes for swing
gates



COD. 665000
Art. BLINDOS
Aluminium safety enclosure, with
European cylinder, ready for
unlocking device by cable.



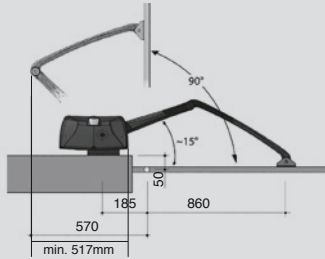
COD. 639111
**Art. 560F -
960F**
Limit switches set



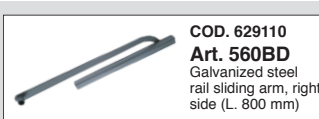
COD. 629130
Art. 560A
Aluminium articulated
arm



COD. 629140
Art. 560BV
Painted galvanized
steel articulated arm



For installation dimensions refer to instructions manuals



COD. 629110
Art. 560BD
Galvanized steel
rail sliding arm, right
side (L. 800 mm)



COD. 629120
Art. 560BS
Galvanized steel rail
sliding arm, left side
(L. 800 mm)

