

ANGOLO

Electromechanical automation for swing gates
up to 2,3 m - 200 kg

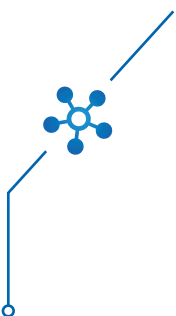


Sliding arm (optional)

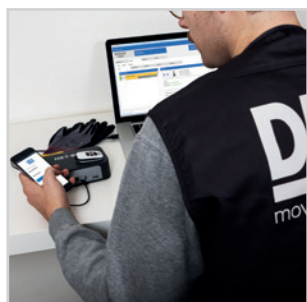


○ Small dimensions (width 114mm)

○ Integrated control board



Can be used with external unlocking device by cable (art. GEKO/SF; to be used with BLINDOS - optional)



NETLINK OPERATOR
This operator is compatible with the NETLINK System and can be programmed with DEAINstaller and NETBOX





Compatible with the Apps



PACK

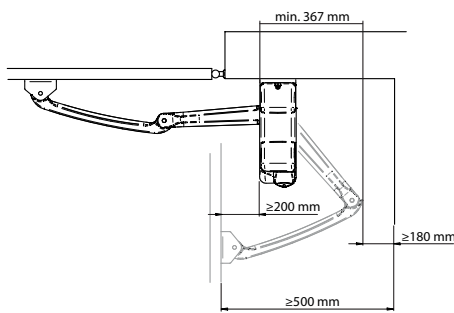
24V --- operators with control board, without arm



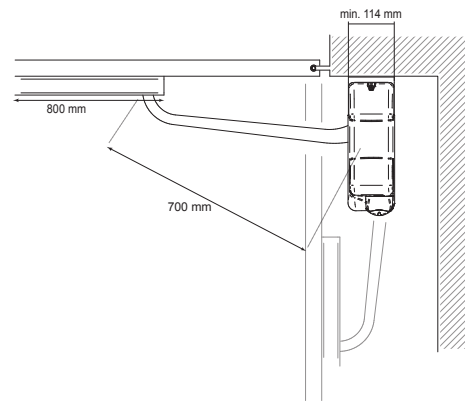
COD.	Art.			OTHER CHARACTERISTICS
626300	ANGOLO-24NET/1		NET24N	<ul style="list-style-type: none"> • 1 operator • Anti-crushing safety device • Speed adjustment and slow down in opening and closing

All models have: arm and mounting plate not included. N.1 control board NET24N included.

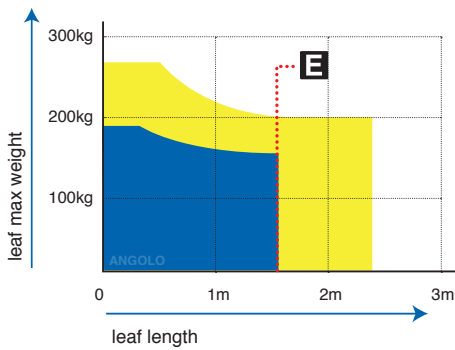
DIMENSIONS WITH ARMS



Refer to instructions manual for installation dimensions



GUIDE TO USE

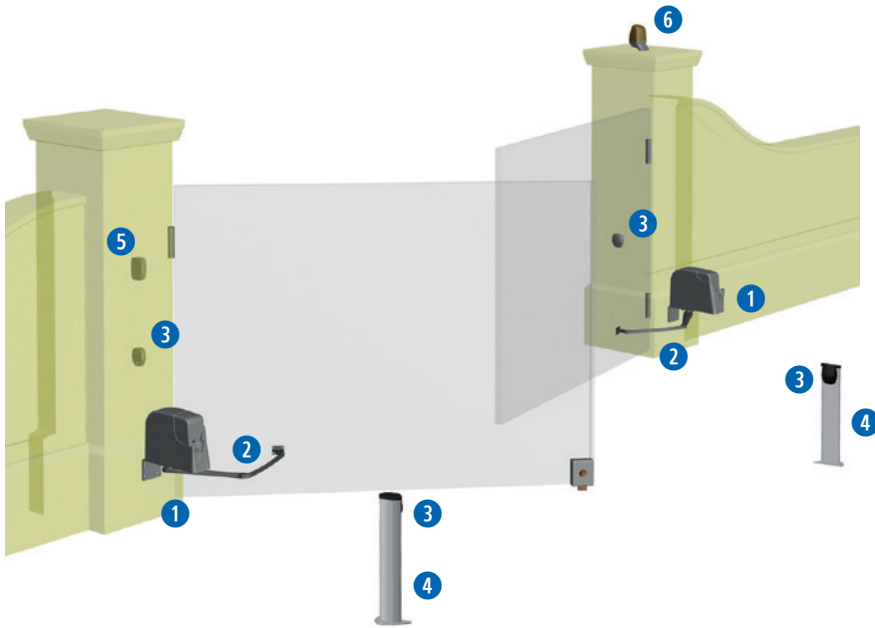


If the leaf length is bigger than 1,5 meters or if you use reversible models you must install the electric-lock to block the gate in closed position. The height and the leaf structure, as well as the presence of strong wind, can cause the reduction of the value of the data contained in table.

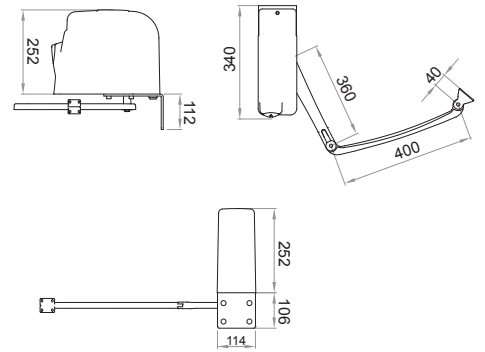
- = GEKO/BS
- = GEKO/BA

TECHNICAL INFO	ANGOLO 24NET
Motor power supply (V)	24V ---
Maximum power absorption (W)	60
Max torque (Nm)	120
Duty cycle (cycles/hours)	25
N. max cycles in 24h.	60
Operating temperature (°C)	-20 ÷ 50
90° Opening time (s)	15
Weight with packing (Kg)	12,5
Sound pressure (dBA)	< 70
Protection level	IP44


EXAMPLE OF A TYPICAL INSTALLATION




DIMENSIONS (with arms GEKO/BA)



PACK

1  **COD. 626010**
Art. ANGOLO 24NET/2
Electromechanical automation for swing gates

PACK

1  **COD. 678251**
Art. NET24N
Universal digital control board for 1 or 2 operators. 24V, with or without magnetic encoder

2  **COD. 629260**
Art. GEKO/BA
Aluminium articulated arm

PACK

3  **COD. 662080**
Art. LINEAR/XS
Pair of mini synchronizable photocell for outdoor installation. Maximum range 20m


4  **COD. 664000**
Art. PILLY/60
55cm column for photocell (2 pcs)

5  **COD. 663090**
Art. GT-KEY
Metal vandal proof keyswitch with two contacts, surface mounted. Supplied with 2 keys.

PACK

6  **COD. 661083**
Art. AURA24
24V flashing light, LED, with integrated antenna, 433 MHz

PACK

 **COD. 672635**
Art. GTI2
Serialized white 2-channel remote control, 433 MHz, with 3 coding: HCS Rolling-Code, Dip-Switch and new D.A.R.T. coding

PACK


 **COD. 381060**
Art. 580V
Vertical mounting plate (fastening of operator perpendicularly to the gate)

 **COD. 668010**
Art. 127
Warning sign

PACK for further details on the PACKS see price list 2019

SPECIFIC ACCESSORIES

 **COD. 629260**
Art. GEKO/BA
Aluminium articulated arm

 **COD. 629261**
Art. GEKO/BS
Braccio a slitta in ferro verniciato

 **COD. 381070**
Art. 580L
Horizontal mounting plate (fastening of operator parallel to the gate)

 **COD. 381060**
Art. 580V
Vertical mounting plate (fastening of operator perpendicularly to the gate)

 **COD. 629200**
Art. 580M
External unlocking device by cable (4,5m). To be used with BLINDOS

 **COD. 665000**
Art. BLINDOS
Aluminium safety enclosure, with European cylinder, ready for unlocking device by cable.

 **COD. 629250**
Art. COL 515
Anti-fall Stainless steel cable with 2 holes for swing gates